

Undercounter Lavatory

FEATURES

- 17" x 14"
- Vitreous china
- ADA compliant
- Concealed front overflow
- Mounting assembly complete with installation template and mounting screw set for wood countertops
- THU410 is required for marble/granite type counter top installation and must be purchased separately

MODELS

- LT569 (#01)

COMPONENTS

- THP5067#CP (Sold Separately)
Grid drain 1-1/2" opening with 4" tail piece

COLORS/FINISHES

- Standard #01 Cotton

CODES/STANDARDS

- Meets and exceeds ASME A112.19.2/CSA B45.1
- Certifications: IAPMO(cUPC), State of Massachusetts, City of Los Angeles, and others
- Meets ADA guidelines and ANSI A117.1 requirements when countertop is installed 864mm (34") from finished floor and lavatory is installed 205mm (8-1/8") minimum from front edge.



PRODUCT SPECIFICATION

The undercounter lavatory shall be made of vitreous china. Lavatory shall be 17" Width x 14" Depth. Product shall be with overflow and lavatory shall include mounting assembly. Lavatory shall be ADA compliant. Lavatory shall be TOTO Model LT569_____.

LT569

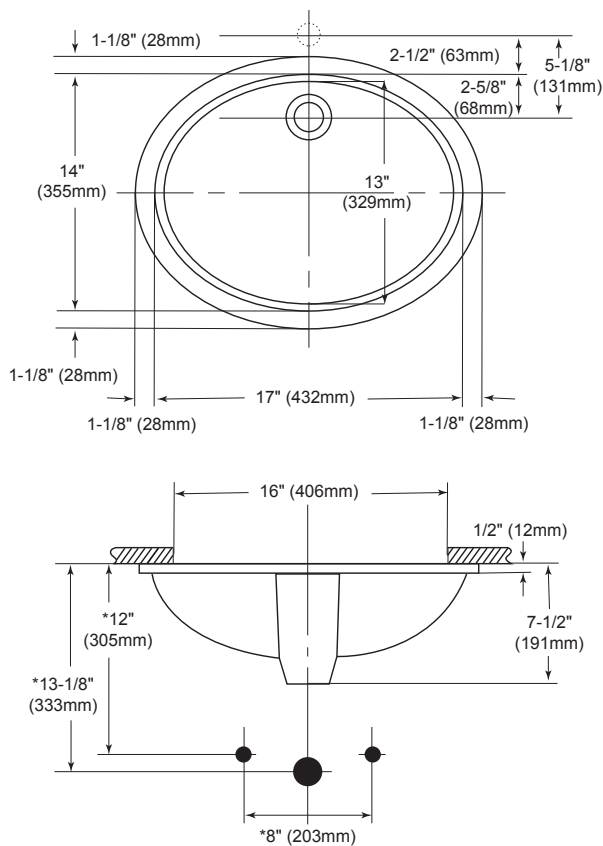
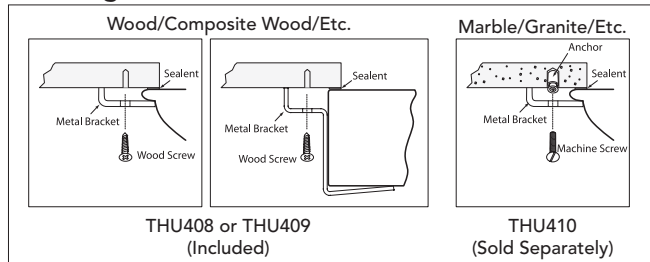
Undercounter Lavatory

SPECIFICATIONS

- Waste 1-1/4" O.D.
- Size 19-1/4"W x 16-1/4"D
- Basin 17"W x 14"D
- Warranty One Year Limited Warranty
- Material Vitreous china
- Shipping Weight 17.4 lbs.
- Shipping Dimensions 22"W x 8-1/2"H x 18-1/2"L

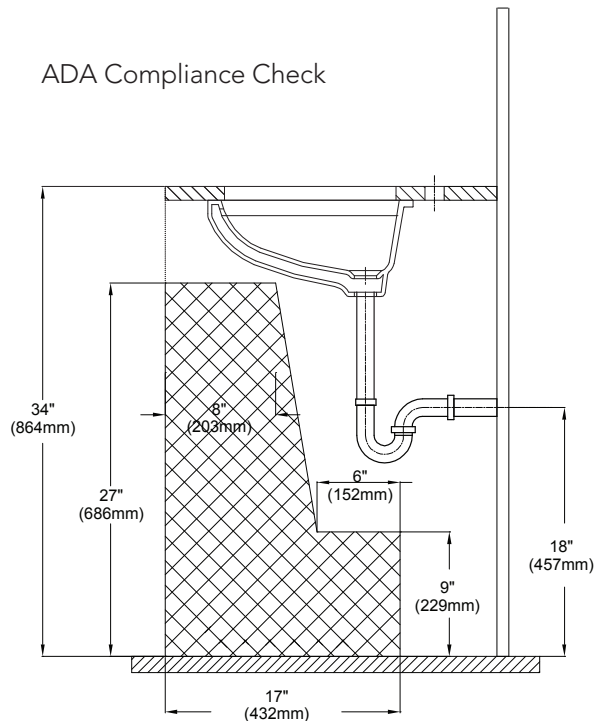
INSTALLATION NOTES

Mounting Hardware



*Suggested Dimension

ADA Compliance Check



TOTO®

These dimensions and specifications are subject to change without notice